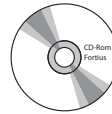
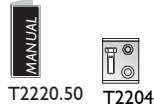


i-Flow

230V T2250, 110V T2260

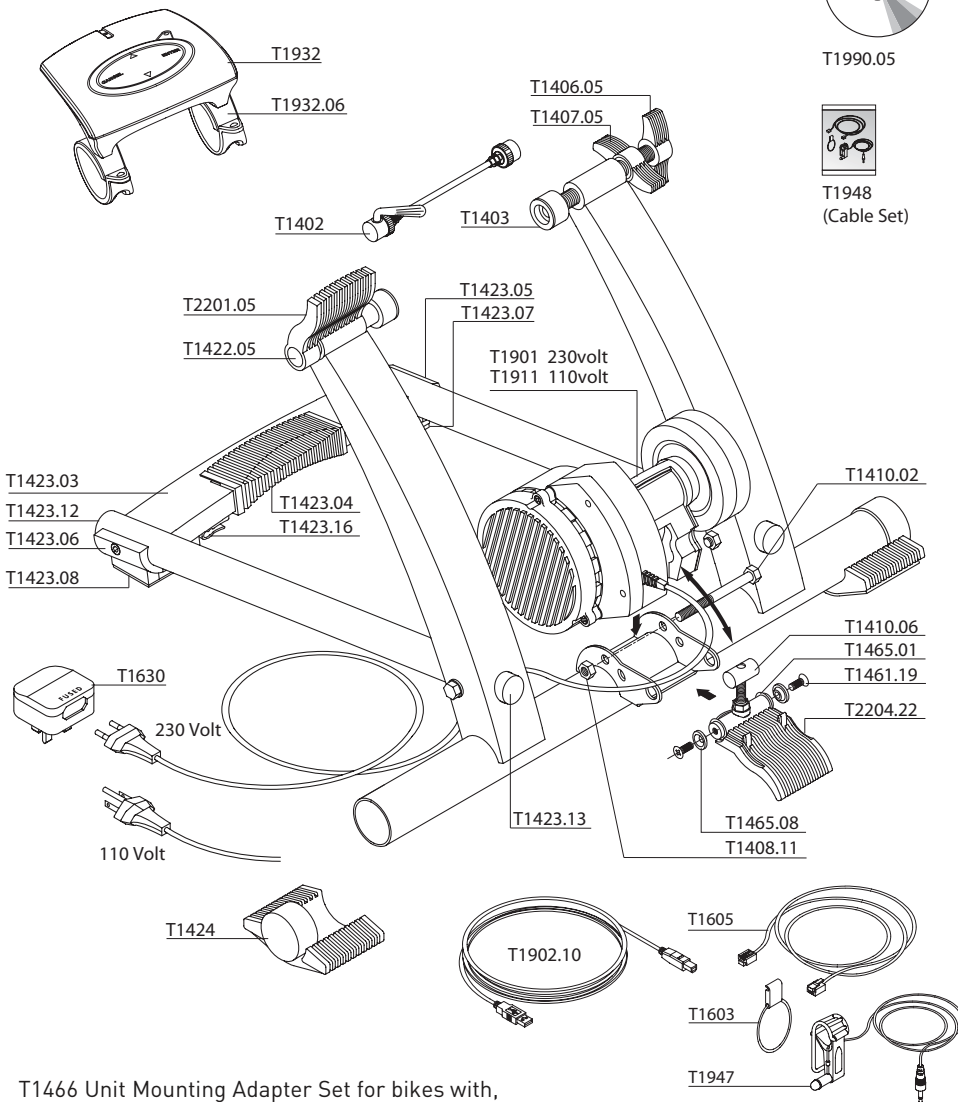
Tacx



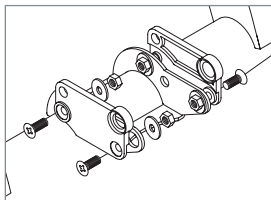
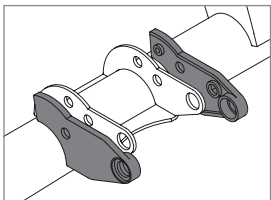
T1990.05



T1948
(Cable Set)



T1466 Unit Mounting Adapter Set for bikes with, wheeldiameters of 610 - 640 & 690 - 720 mm



T1905 VR Steeringframe

- T1402 Quick Release, rear wheel
- T1403 Quick release holder
- T1406.05 Bolt M16 with nut
- T1407.05 Wing nut, M16
- T1408.11 Lock nut, M8
- T1410.02 Bolt, M8 x 85
- T1410.06 Spacer, M8
- T1422.05 Movable piece
- T1423.03 Front leg
- T1423.04 Slide
- T1423.05 Sidefoot, right
- T1423.06 Sidefoot, left
- T1423.07 Rubber sole, right
- T1423.08 Rubber sole, left
- T1423.12 End cap, round 30 mm
- T1423.13 End cap, round 25 mm
- T1423.16 Cable clip
- T1424 Foot CycleForce
- T1461.19 Screw, M6 x 12
- T1465.01 Rubber ring
- T1465.08 Washer for hinge
- T1466 Unit mounting adapter set
- T1603 Magnet complete
- T1605 Cable
- T1630 Adaptor for UK power point
- T1901 Electrobrake 230V
- T1902.10 USB cable
- T1911 Electrobrake 110V
- T1932 VR interface
- T1932.06 Handlebarclamp VR interface
- T1947 Sensor cadence
- T1948 Cables
- T1990.05 Tacx Trainer software 4, Basic
- T2201.05 Lever Flow, blue
- T2204 Fitting kit Flow
- T2204.22 Quick release complete, blue
- T2250.50 i-Flow manual set

T2250 59 x 55 x 22 17,1 kg